





Also suitable as a carport



white



anthracite

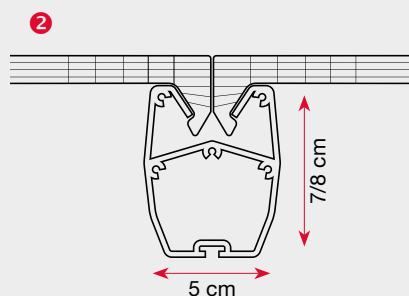
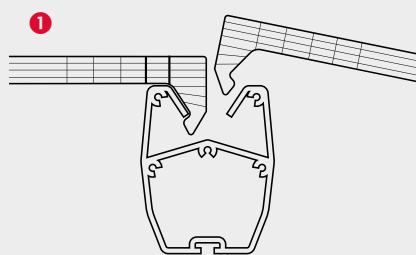
Their advantages

- ✓ Complete kit with assembly material
- ✓ Simple and adaptable installation
- ✓ Aluminium profiles powder coated white or anthracite
- ✓ Rain gutter with water drain integrated on both sides
- ✓ highly resistant polycarbonate twin-wall sheets
- ✓ UV resistant und hail proof
- ✓ Snow load:
Model with 3 m roof depth: 150 kg/m²
Model with 4 m roof depth: 100 kg/m²
- ✓ 10 Year guarantee

Cross-beams ❶ and posts ❷ adjustable up to 60 cm



Simple and adaptable installation

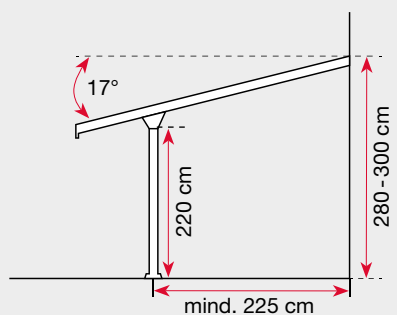
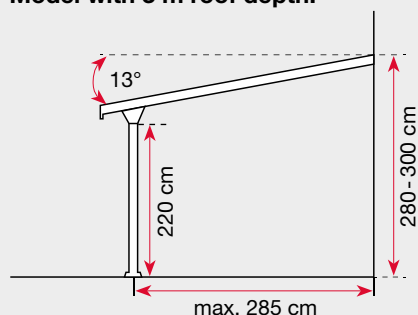


10 mm strong polycarbonate Twin-wall sheets are clicked into the rafters.

Rafter: (middle/edge)
width: 5 cm
height: 7/8 cm

wallsupport:
height: 10 cm
depth 5,5 cm

Model with 3 m roof depth:

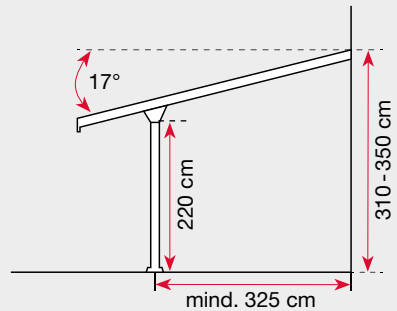
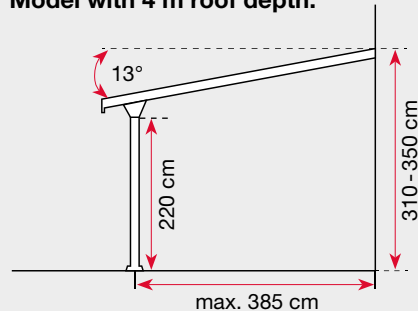


Adaptable installation through variable ridge height and adjustable support posts.

Posts:
width: 8 cm
deep: 4 cm
height: 220 cm

The passage height at the eaves changes depending on roof pitch.

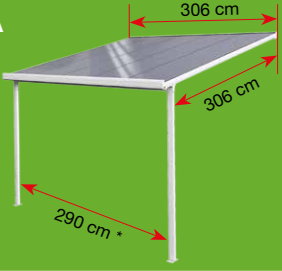


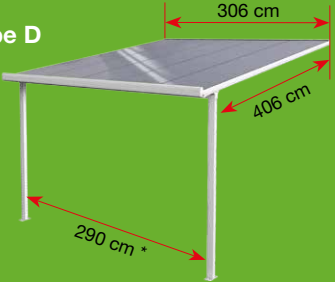
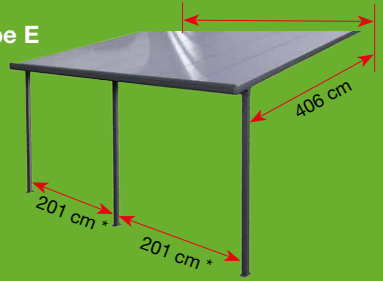
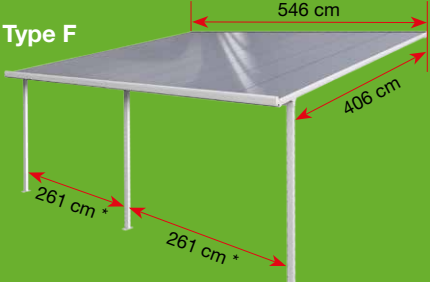
Model with 4 m roof depth:



Tecnical Data	highly resistant polycarbonate twin-wall sheets
Sheet width	600 mm
Sheet length	3000 / 4000 mm
Sheet thickness	10 mm
Weight	2,0 kg/m ²
Profile structure	5 Walls
Light transmission	62 % (±5%) Clear (structured)
Heat transmission K value	2,3 W/m ² K
Coefficient of linear extension	0,065 mm/m °C
Cold flexural radius	2000 mm/min.
UV-protection ¹	on both sides
Thermal stability	-40° C / +120° C
Guarantee (subject to our warranty cond.)	10 Years

¹ Observe the instructions on the protective foil of the plates!

Designs and dimensions

	Design	Dimension	Surface	Posts	Panels	Item No.	Note
3 m roof depth:	Type A 	3,06 x 3,06 m	9,36 m ²	2	5	white: 4293103 anthracite: 4293153	
	Type B 	4,26 x 3,06 m	13,03 m ²	3	7	white: 4293106 anthracite: 4293156	
	Type C 	5,46 x 3,06 m	16,70 m ²	3	9	white: 4293109 anthracite: 4293159	
NEW! 4 m roof depth:	Type D 	3,06 x 4,06 m	12,42 m ²	2	5	white: 4293112 anthracite: 4293162	
	Type E 	4,26 x 4,06 m	17,30 m ²	3	7	white: 4293115 anthracite: 4293165	
	Type F 	5,46 x 4,06 m	22,17 m ²	3	9	white: 4293118 anthracite: 4293168	

* In displacement (each 60 cm maximum) decreases accordingly each other distance.



10 mm polycarbonate roofing:

- ✓ The twin-wall sheets are slightly structured, allowing them to pleasantly scatter the light. Minimal soiling is invisible from below, the translucency is discreetly reduced.



Sample roof 5,46 x 4,06 m / 3 Posts / 9 Panels

Expansion module 120 cm

The principle

- ✓ Consists of a front support (purlin), rain gutter, wall bracket, 2 rafters, 2 panels, and a post
- ✓ Installed in the center in 2-part constructions
- ✓ Expansion options for 5.46 m wide models in 3 m and 4 m depth:

1 Modul: $5,46 \text{ m} + 1,2 \text{ m} = 6,66 \text{ m}$

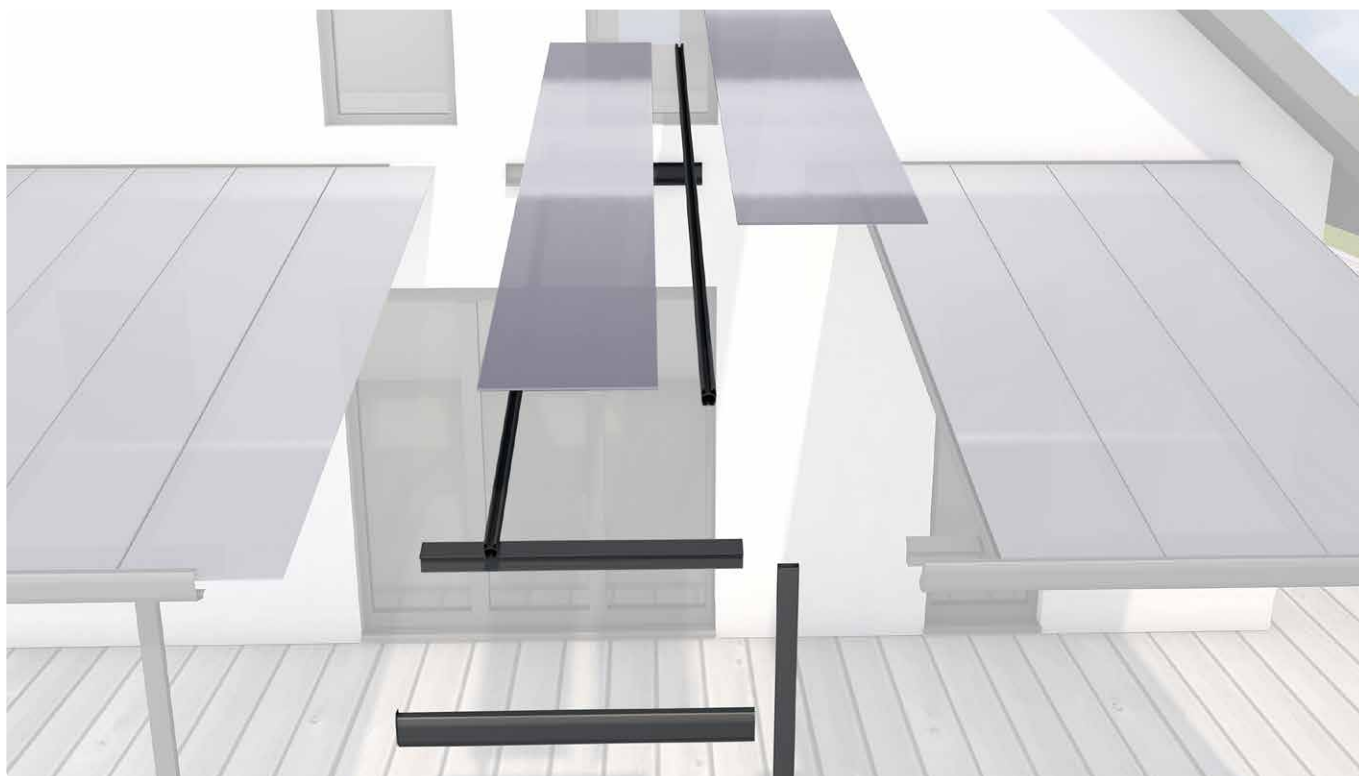
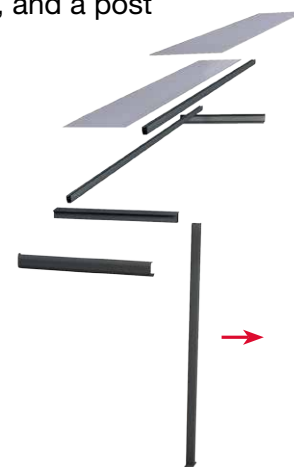
2 Module: $5,46 \text{ m} + 2 \times 1,2 \text{ m} = 7,86 \text{ m}$

3 Module: $5,46 \text{ m} + 3 \times 1,2 \text{ m} = 9,06 \text{ m}$

4 Module: $5,46 \text{ m} + 4 \times 1,2 \text{ m} = 10,26 \text{ m}$

5 Module: $5,46 \text{ m} + 5 \times 1,2 \text{ m} = 11,46 \text{ m}$

6 Module: $5,46 \text{ m} + 6 \times 1,2 \text{ m} = 12,66 \text{ m}$



Sample roof $5,46 \text{ m} + 1,20 \text{ m} = 6,66 \text{ m}$ wide

Components in detail



Posts with pre-drilled fixing holes



Rain gutter with integrated water drain



Purlin connection
Screws and nuts made of stainless steel

Design	Dimension	Surface	Components	Item No.	Note
Expansion module 3 m roof depth suitable for Type C	1,2 m x 3,06 m	3,67 m ²	1 front support (purlin), 1 rain gutter, 1 wall bracket, 2 rafters, 2 Panels, 1 Post	white: 4293703 anthracite: 4293713	
Expansion module 4 m roof depth suitable for Type F	1,2 m x 4,06 m	4,87 m ²	1 front support (purlin), 1 rain gutter, 1 wall bracket, 2 rafters, 2 Panels, 1 Post	white: 4293706 anthracite: 4293716	



Example roof 5,46 m + 1,20 m = 6,66 m wide



Rafter connection
Screws and nuts made of stainless steel



Edging with cover



Wall connection with cover



Please observe the local building regulations and the snow load zones in your region. Remove snow from the roof regularly.

Colour and size deviations etc. within the usual tolerances reserved. Our recommendations do not release us from the obligation to check the product on our own responsibility. In case of doubt, please consult a specialist.

Motifs and models are subject to change without notice. The accessories shown are not included. All values and dimensions given are approximate. The colours shown may differ from the original colours for printing reasons. Subject to technical changes.



4003412110370
Prospekt-Nr.: 9503112
GB - 38/18 - Intern digital